

Installation Instructions

Ground Fixed

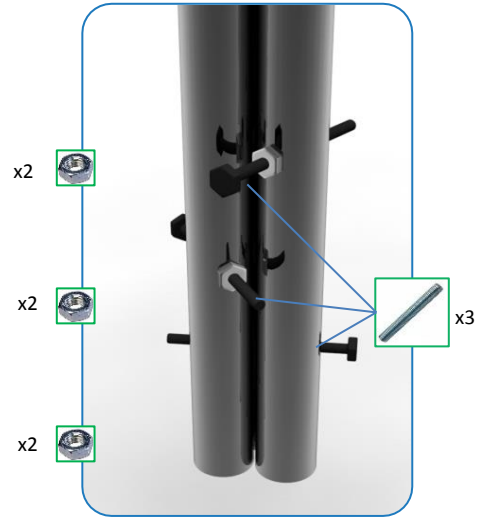
Babel Drum
Page 1 of 3



Instrument Components:

Babel Drums are pre-assembled

Metric Conversion:
200mm/ 8"
400mm/ 16"
570mm/ 22"
600mm/ 24"
700mm/ 28"
770mm/ 30"
870mm/ 34"
1070mm/ 42"
1.5m/ 59"



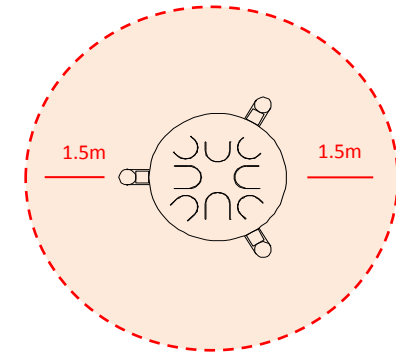
Weight of heaviest part **17.5kg** (Large Babel Drum)
Weight of heaviest part **13.4kg** (Small Babel Drum)

1. Using M10 nuts and 150mm bolts supplied locate through pre drilled holes and secure bolts in place to support in ground pole in concrete. **3 bolts per leg** at 120 degree angles. (See **Assembly Guide**)

2. Excavate a hole for the drum **200mm diameter** by **KS2-400/KS1-570mm deep** in desired location upon decision from customer.

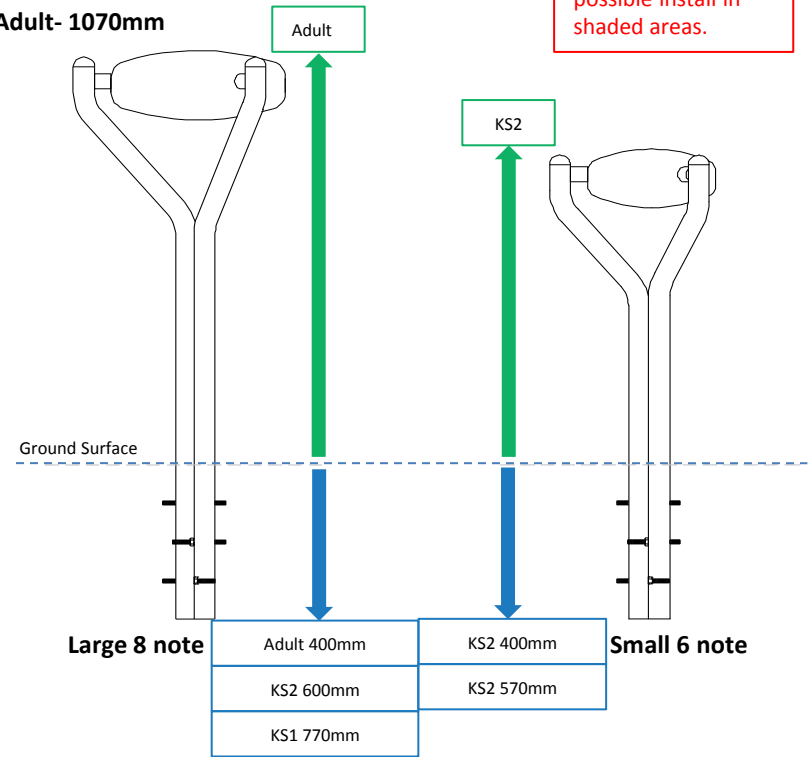
3. Locate (lower) legs into hole making sure they are vertical and level prior to concreting in place. Drum should be **700,870** from ground surface to top of drum (**depending on Key Stage**).

4. Once happy with location of the Drum, fill hole using rapid hardening **concrete**. Be sure to compact concrete around legs and leave to dry according to manufactures guidelines.



Install instrument with 1.5m free space (from widest point) around it.

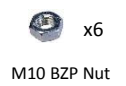
KS1 – 700mm
KS2 – 870mm
Adult- 1070mm



CAUTION: Drum surface can get hot in direct sunlight, if possible install in shaded areas.



Ground Fix Components:



Spares available form percussionplay.com or from your local distributor

22 Kg
13.4 Kg

Ground Fixed

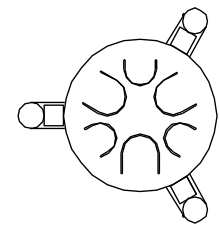
Babel Drum
Page 2 of 3



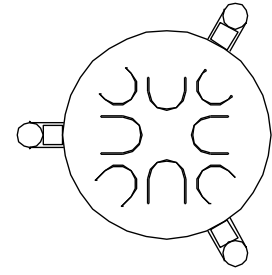
Instrument Components:

Babel Drums are pre-assembled

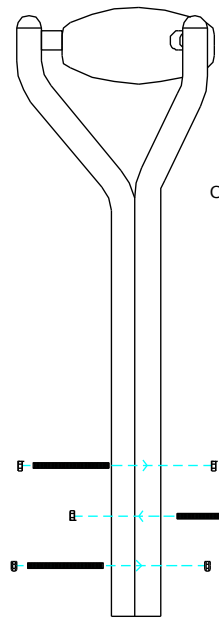
CAUTION: Drum surface can get hot in direct sunlight, if possible install in shaded areas.



PPBDS PLAN





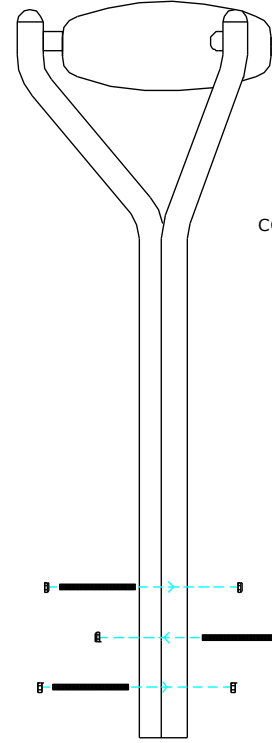
PPBDL PLAN



PPBDS FRONT



COMPONENTS LIST:

-  M10 Nut X6
-  M10x200 Threaded Bar X3



PPBDL FRONT


COMPONENTS LIST:

-  M10 Nut X6
-  M10x200 Threaded Bar X3



Ground Fix Components:

 x3
M10x200 Threaded bar

 x6
M10 BZP Nut

Spares available from
percussionplay.com or from your local distributor

22 Kg
13.4 Kg

Ground Fix Installation

Ground Fixed

Babel Drum
Page 3 of 3

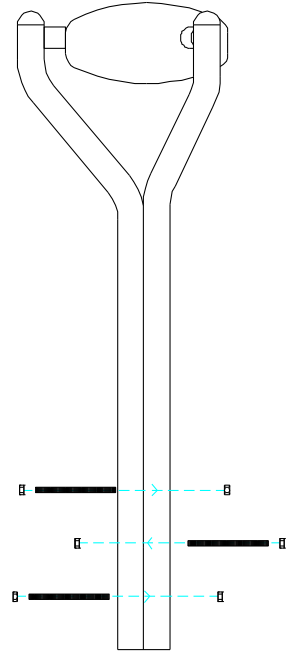


Components:

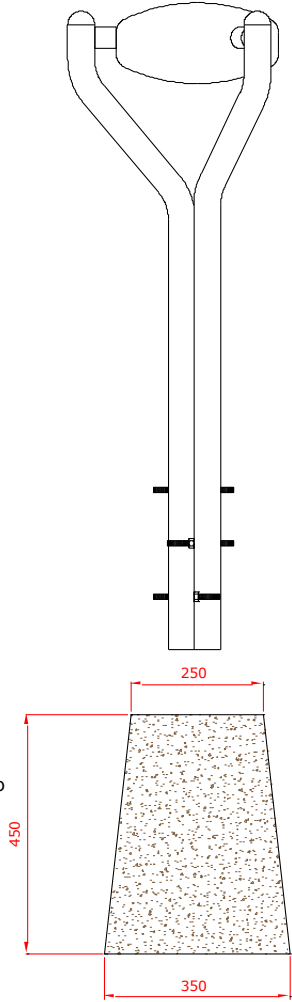
-  x3
- M10x200 Threaded Bar
-  x6
- M10 BZP Nut

Metric Conversion:
50mm/ 2"
250mm/ 10"
350mm/ 14"
400mm/ 16"
450mm/ 18"

1 Insert M10x 150 Threaded bar into pre drilled holes in Frame of Babel Drum using M10 BZP Nuts

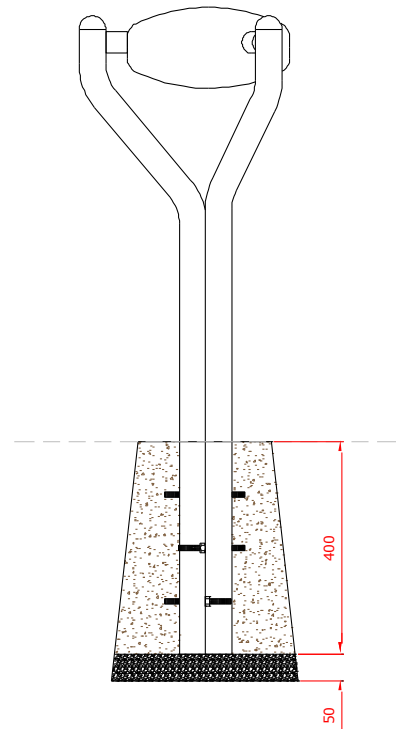


2 Excavate a holes with a 250mm diameter tapering down to 350mm diameter and 450mm depth

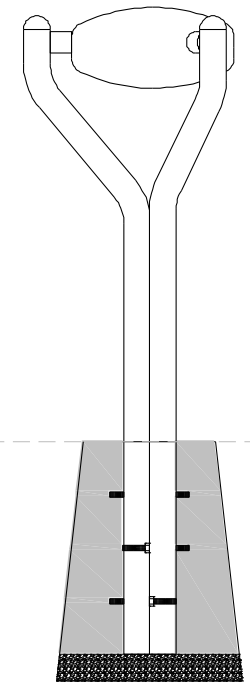


If Drum needs to be positioned lower a deeper hole can be excavated.

3 Compact base of hole with 50mm of aggregate. Lower ground Fix post attached to instrument into hole (check instrument straight and level before filling with concrete)



4 Fill hole with fast drying concrete to manufacturers specifications.



Foundations should not present a hazard. These foundations are recommended as a guide, for more information on foundation details for various surface see Part 7 of BS EN 1176.