

Installation Instructions

Ground Fixed

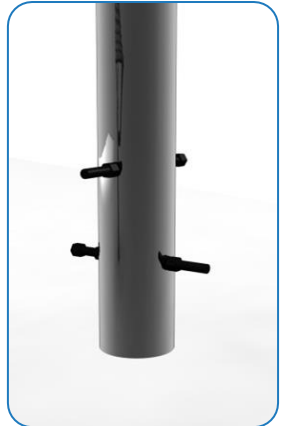
Bell Lyre
Page 1 of 2



Instrument Components:

-  x4
M6x20 Security Screw
-  x2
M6 Saddle Strap

Metric Conversion:
250mm/ 10"
400mm/ 16"
550mm/ 22"
1.5m/ 59"
1525mm/ 60"



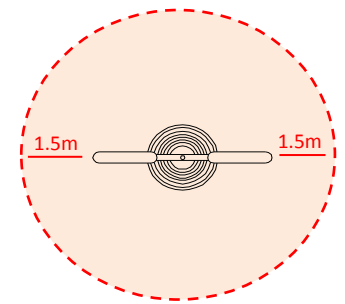
Weight of heaviest part **14.4kg** (Bell Lyre)

1. Attach Ground Fixing posts to legs(1.2) (See Ground Fix Post Installation Sheet)

2. Excavate 1 hole for the Steel leg 250mm diameter by 400mm deep, in desired location upon decision from customer.

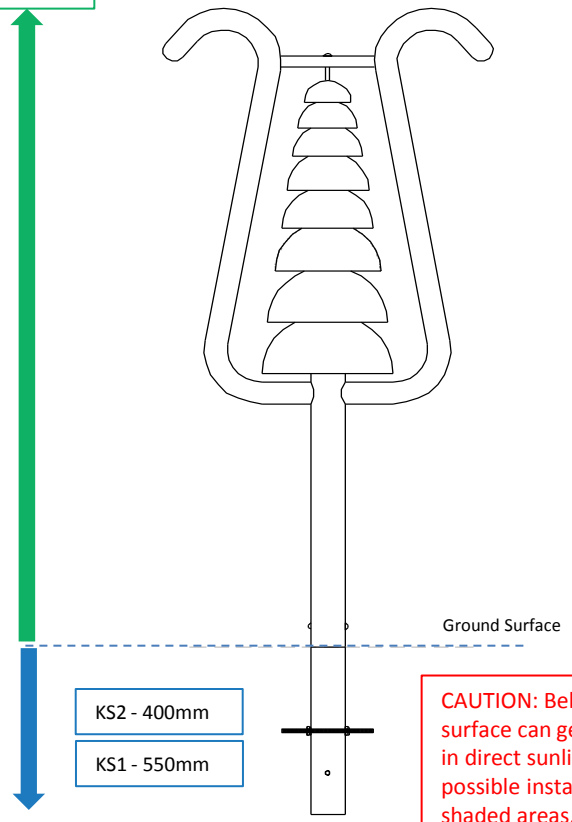
3. Locate (lower) legs into hole making sure they are vertical and level prior to concreting in place.

4. Once happy with location of the Instrument, fill hole using rapid hardening concrete. Be sure to compact concrete around legs and leave to dry according to manufactures guidelines.



Install Instrument with 1m free space (from widest point) around it.

1525mm



CAUTION: Bell Lyre surface can get hot in direct sunlight, if possible install in shaded areas.



Ground Fix Components:

-  x2
-  x4
-  x1
-  x1

Spares available form percussionplay.com or from your local distributor

23.5 Kg

Ground Fix Post Installation

Ground Fixed

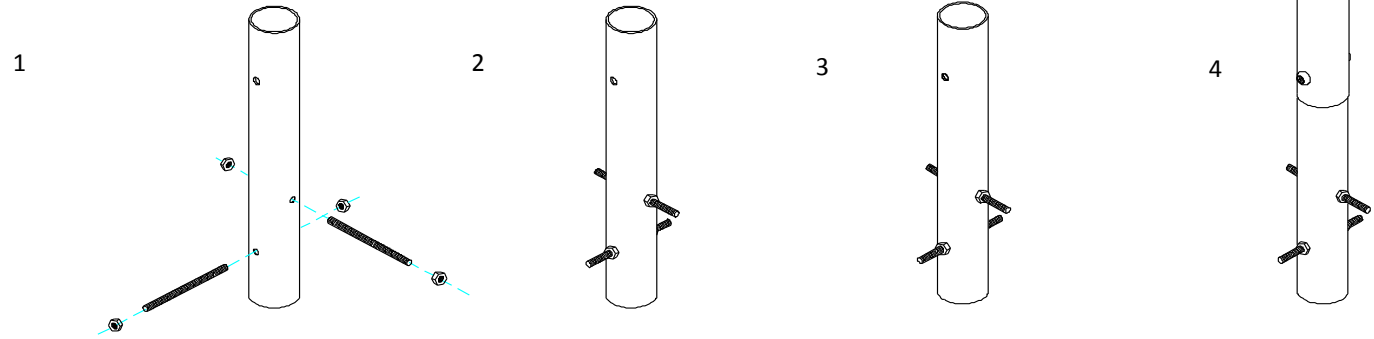
Bell Lyre
Page 2 of 2



Components:

-  x2
-  x4
-  x1
-  x1

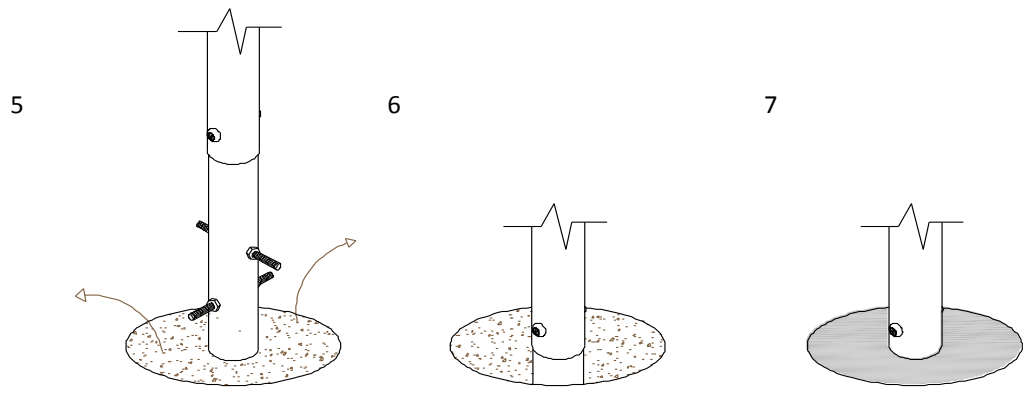
Thread Lock Solution
Required (Not Supplied)



Thread Lock Solution
Required (Not Supplied)

- Tools:
-  x1
 - TX 45 Driver Bit

Foundations should not present a hazard. These foundations are recommended as a guide, for more information on foundation details for various surface see Part 7 of BS EN 1176.



400mm min depth

Metric Conversion:
50mm/ 2"
250mm/ 10"
350mm/ 14"
400mm/ 16"
450mm/ 18"

