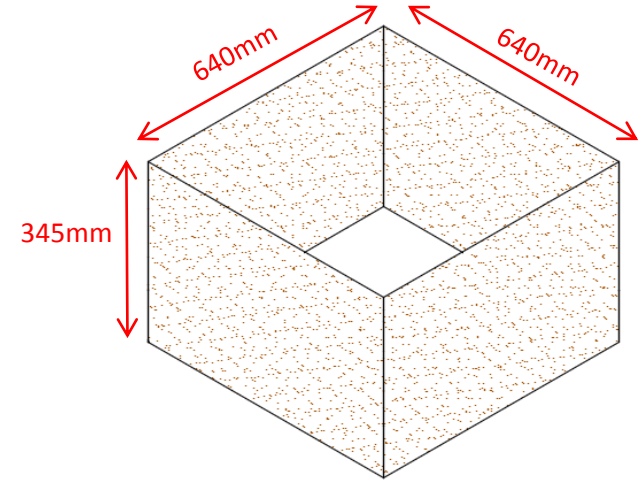


Ground Works Stepping Stone

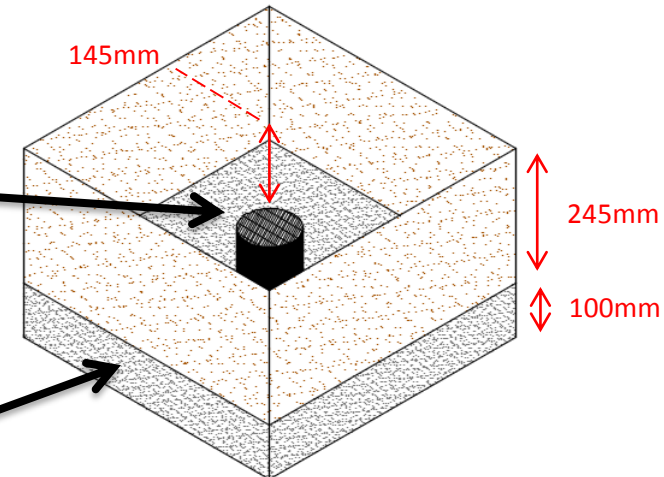
Ground Fixed Stepping Stone 1 of 5



1. Excavate hole below finished installation level (including surfacing) with dimensions of 640mm x 640mm x 345mm.



2. To prevent flooding the foundations should be connected to a rainwater drainage system such as a storm drain or soakaway.
3. Install drainage inlet centrally in excavated area 145mm from finished ground level. This will allow for a slight fall in the concrete pad to encourage water run-off.



4. Lay a level compacted 100mm granular sub-base over a geo-textile. This will help to spread the load of the concrete installation pad.



Metric Conversion:
100mm/ 4"
145mm/ 5 45/64"
245mm/ 9 41/64"
345mm/ 13 37/64"
640mm/ 25 13/64"

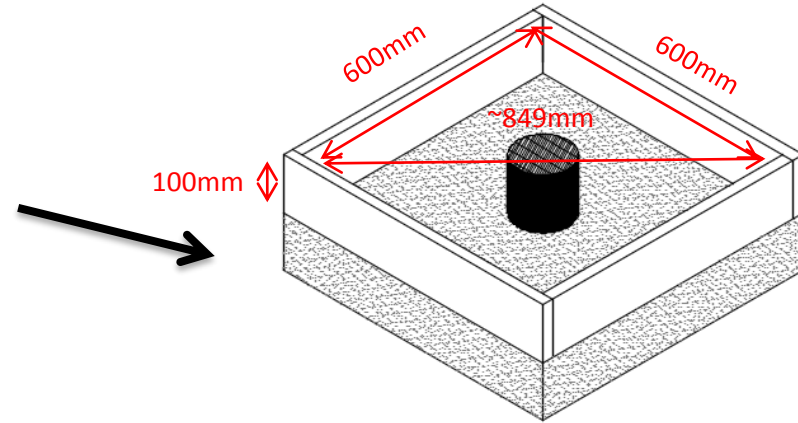
Ground Works Stepping Stone

Ground Fixed

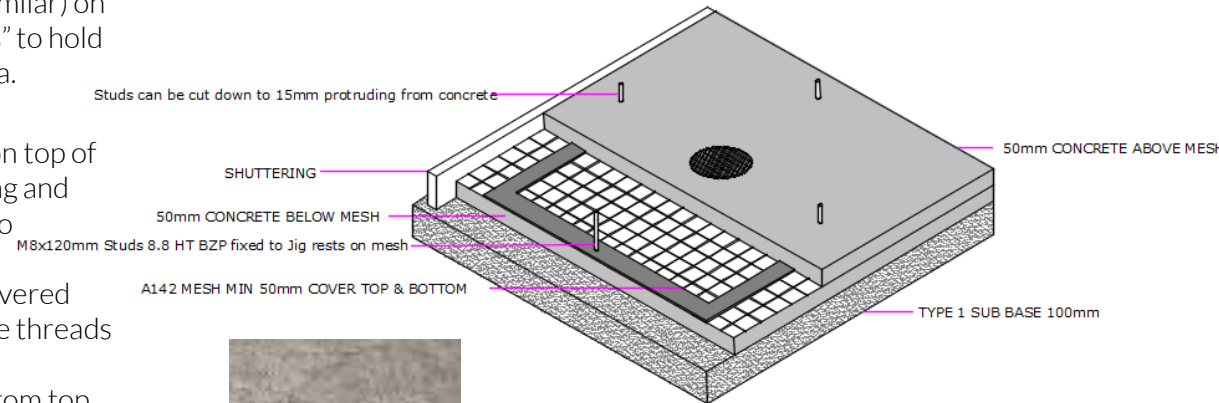
Stepping Stone
2 of 5



5. Create timber shuttering on top of compacted sub-base with an internal area of 600mm x 600mm.
 - Note – finished height to top of shuttering should be 145mm below finished installation level (including surfacing).
 - To ensure shuttering is square, internal diagonal measurements should be ~849mm.



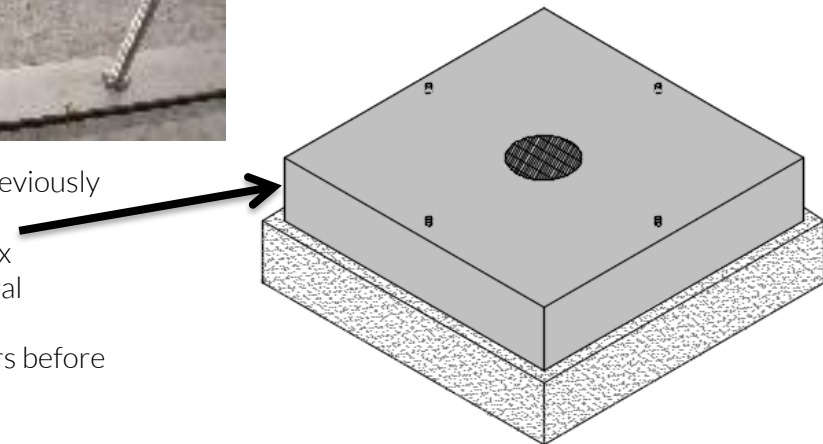
6. Install A142 steel reinforcing mesh (or similar) on 50mm plastic or steel supports or “chairs” to hold mesh vertically centred in shuttering area.



7. Install the supplied installation studs jig on top of steel mesh and centre between shuttering and affix in place using cable ties (to ensure no movement when concrete is poured).
 - Note – threaded studs must be covered when concrete is poured to ensure threads do not get concrete on them.
 - Threads should protrude 30mm from top of shuttering.



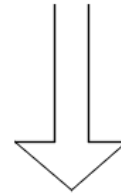
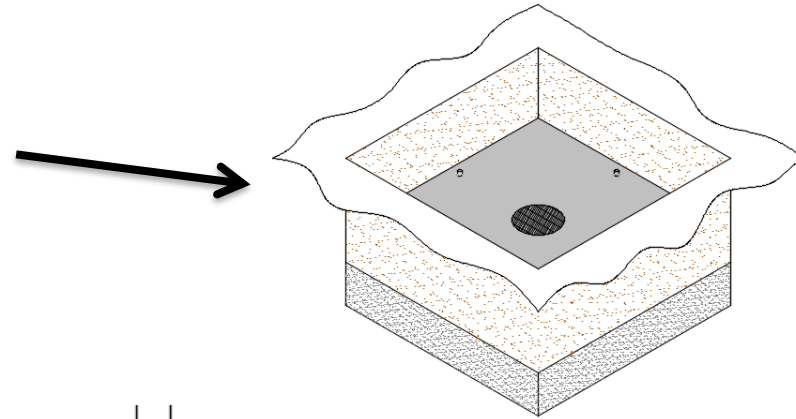
8. Pour 100mm depth concrete pad and create slight fall to previously fitted drainage inlet.
 - Consider mixing reinforcement fibres in concrete mix predominantly for crack control rather than structural strengthening.
 - Allow to poured concrete pad to cure for 24-72 hours before proceeding to next step.
 - Remove shuttering after 24-72 hours.



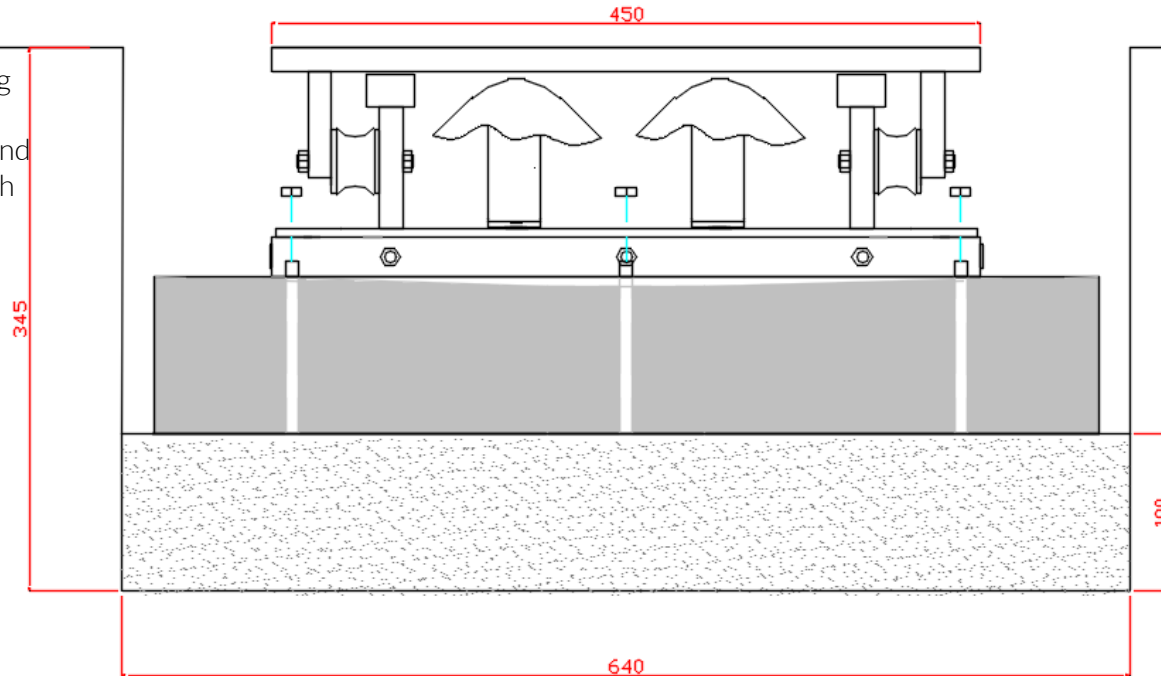
Metric Conversion:
100mm/ 8"
600mm/ 23 5/8"
849mm/ 33 27/64"

Ground Works Stepping Stone

- We recommend allowing concrete to cure for a minimum of 1 week prior to installing Stepping Stone.
- Once Pad is cured, the exposed studs can be cut down so only 15mm is protruding above the concrete pads surface



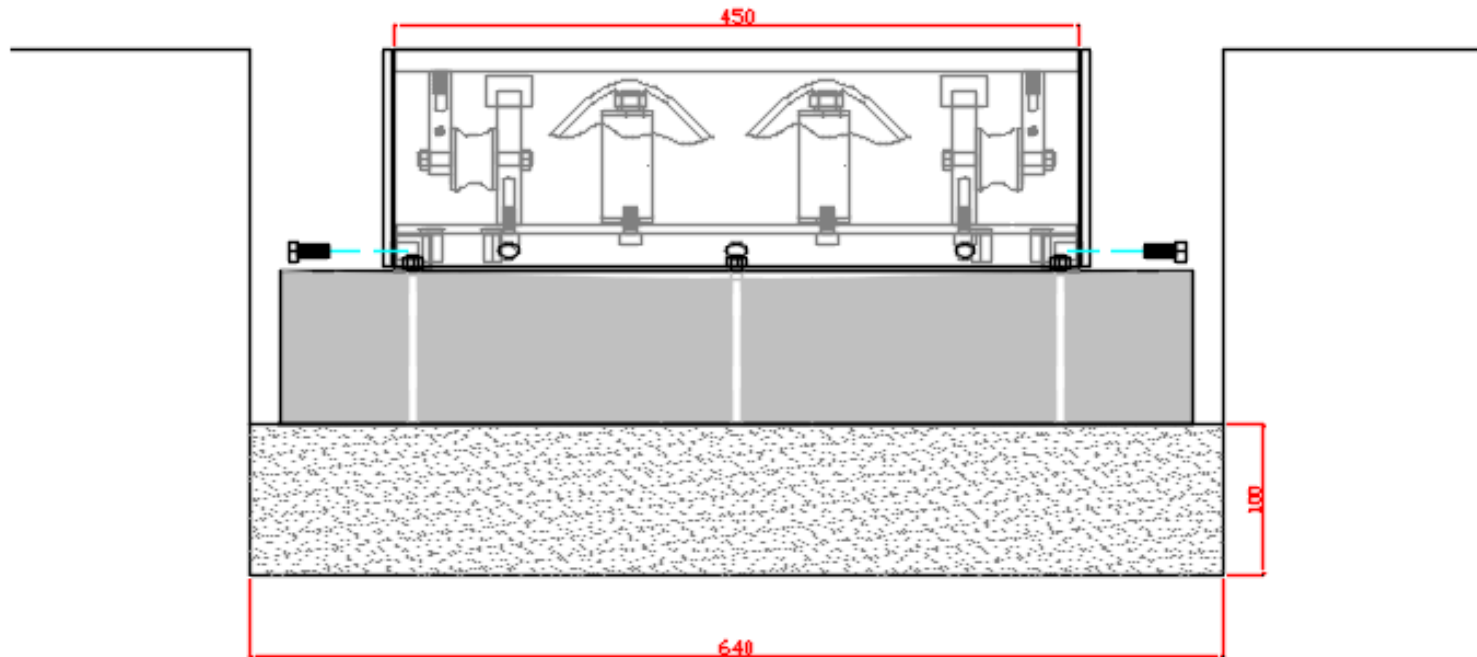
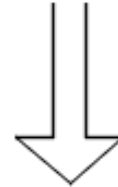
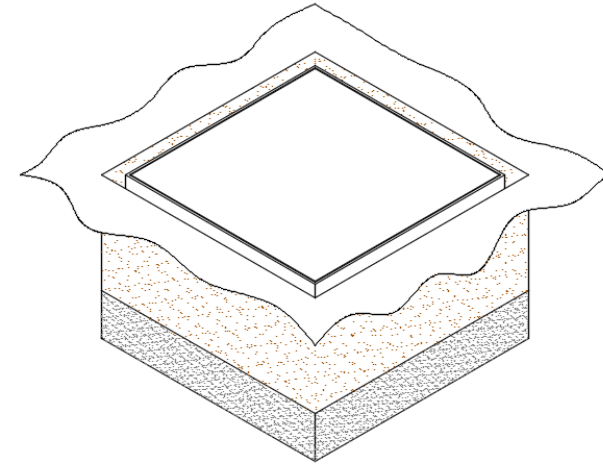
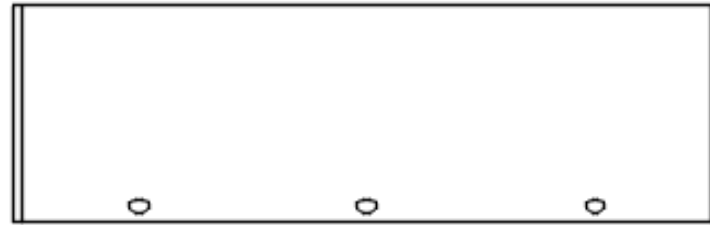
- Lower Stepping Stone Body onto protruding studs and secure in place with nuts provided



Ground Fixed
Stepping Stone
3 of 5



12. Locate the surround casing over the body and secure in place with 12 screws provided

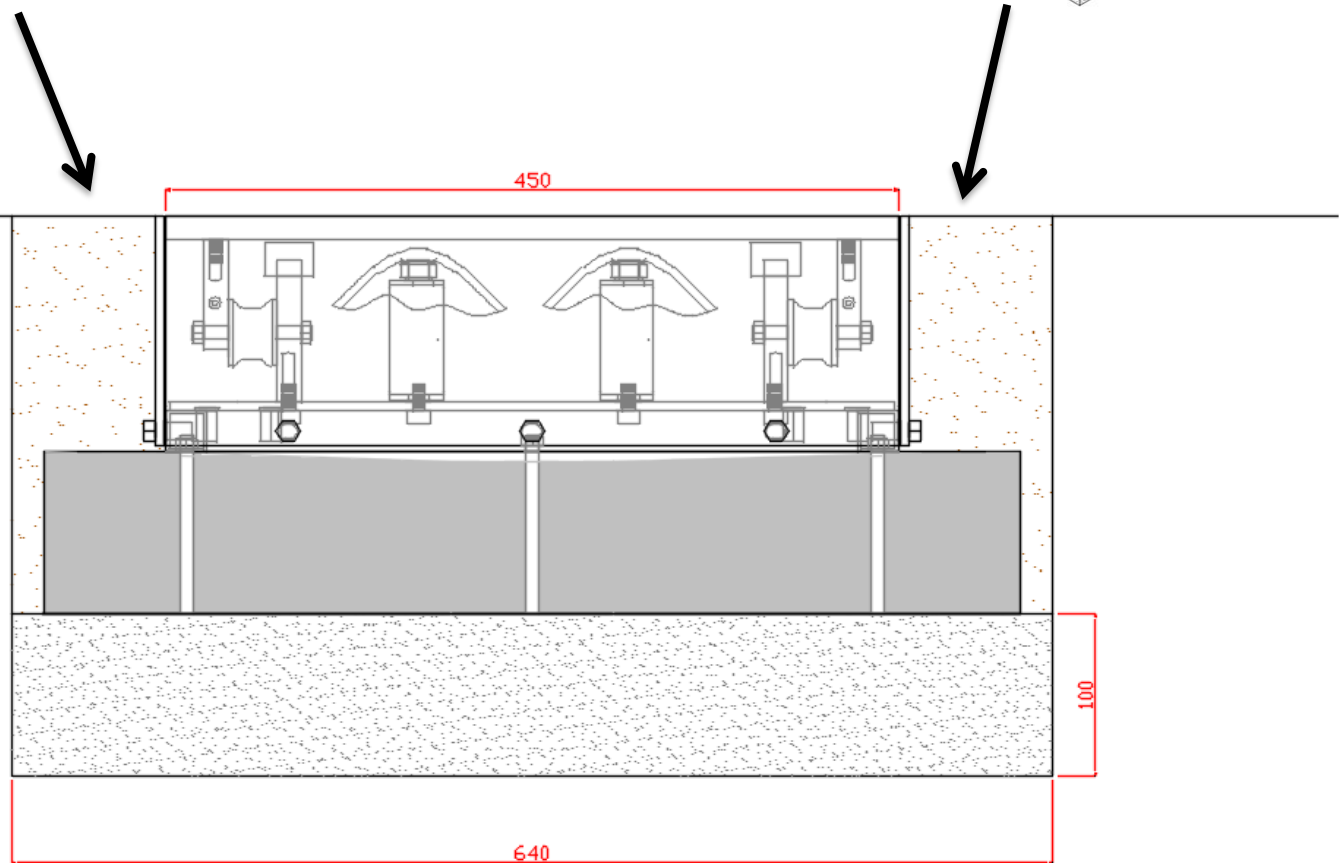
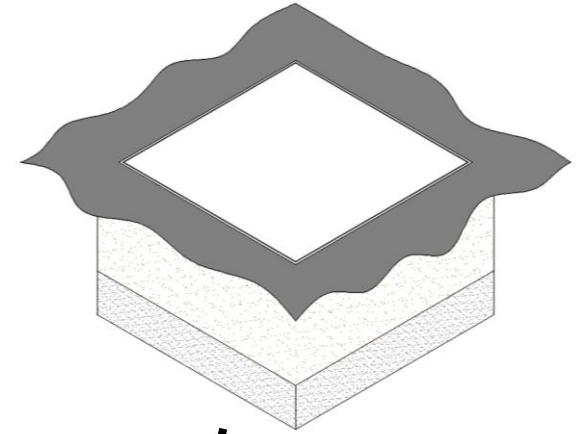


Ground Fixed
Stepping Stone
4 of 5



Ground Works Stepping Stone

13. Backfill up to the surround casing to desired level for surfacing.
Finished height of instrument from concrete pad is 145mm (5 45/64")



Ground Fixed
Stepping Stone
5 of 5

